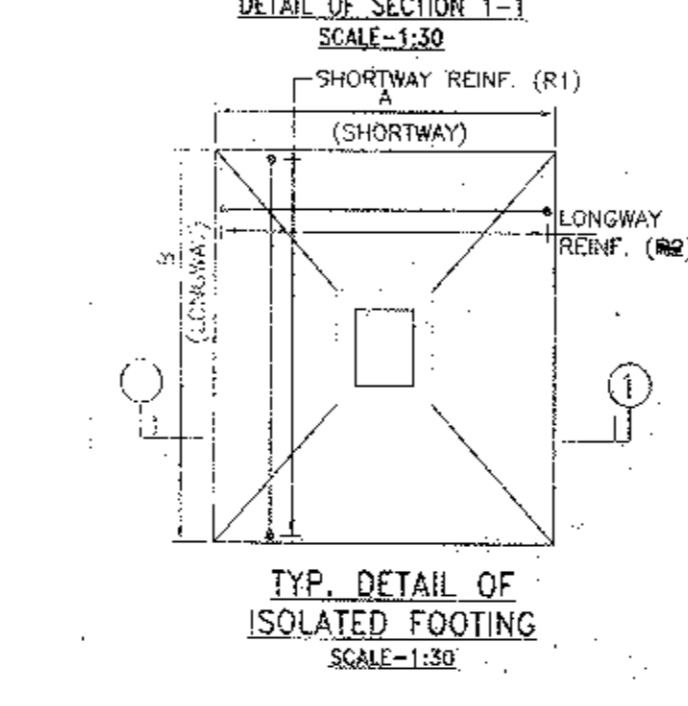
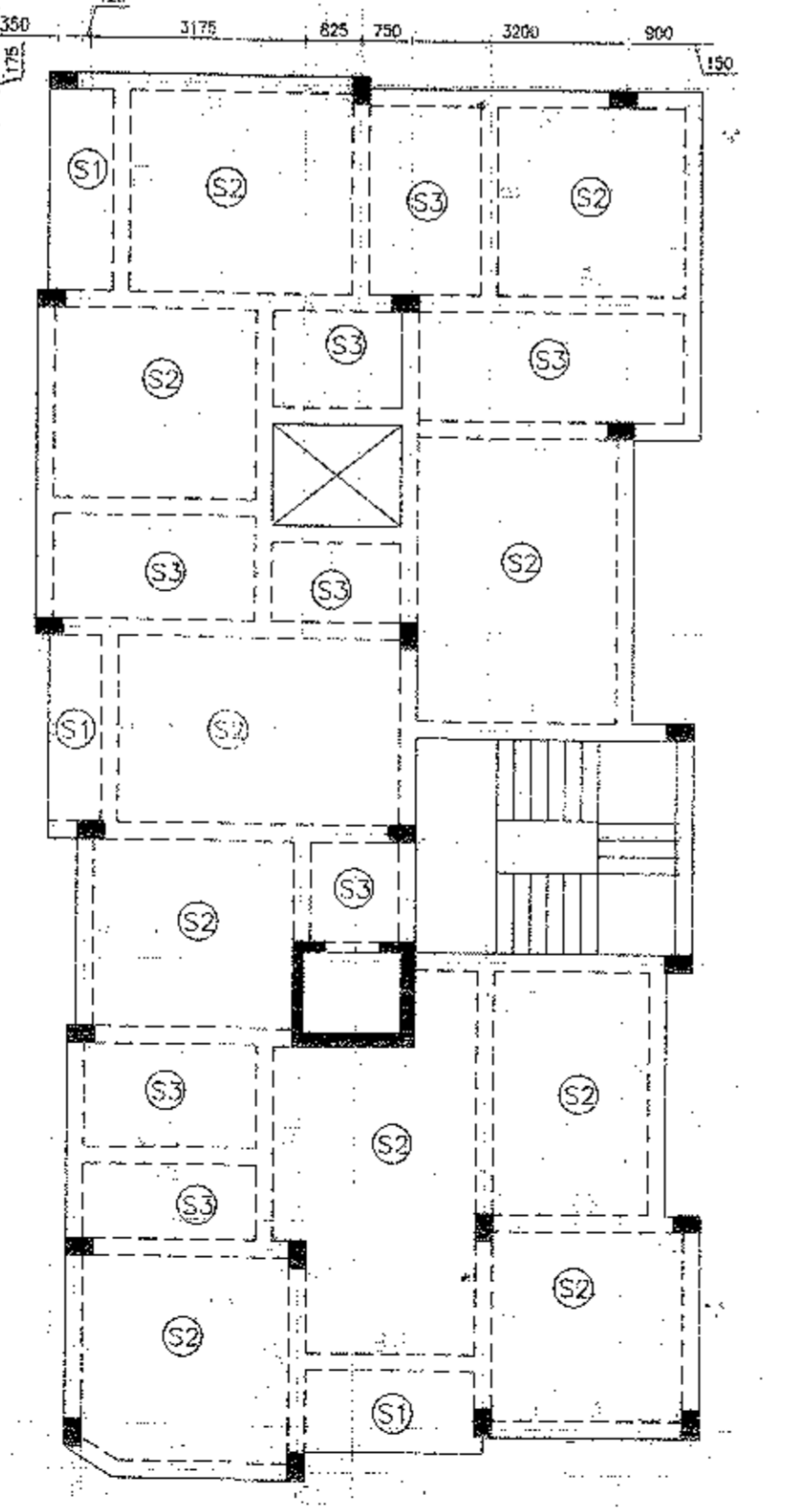
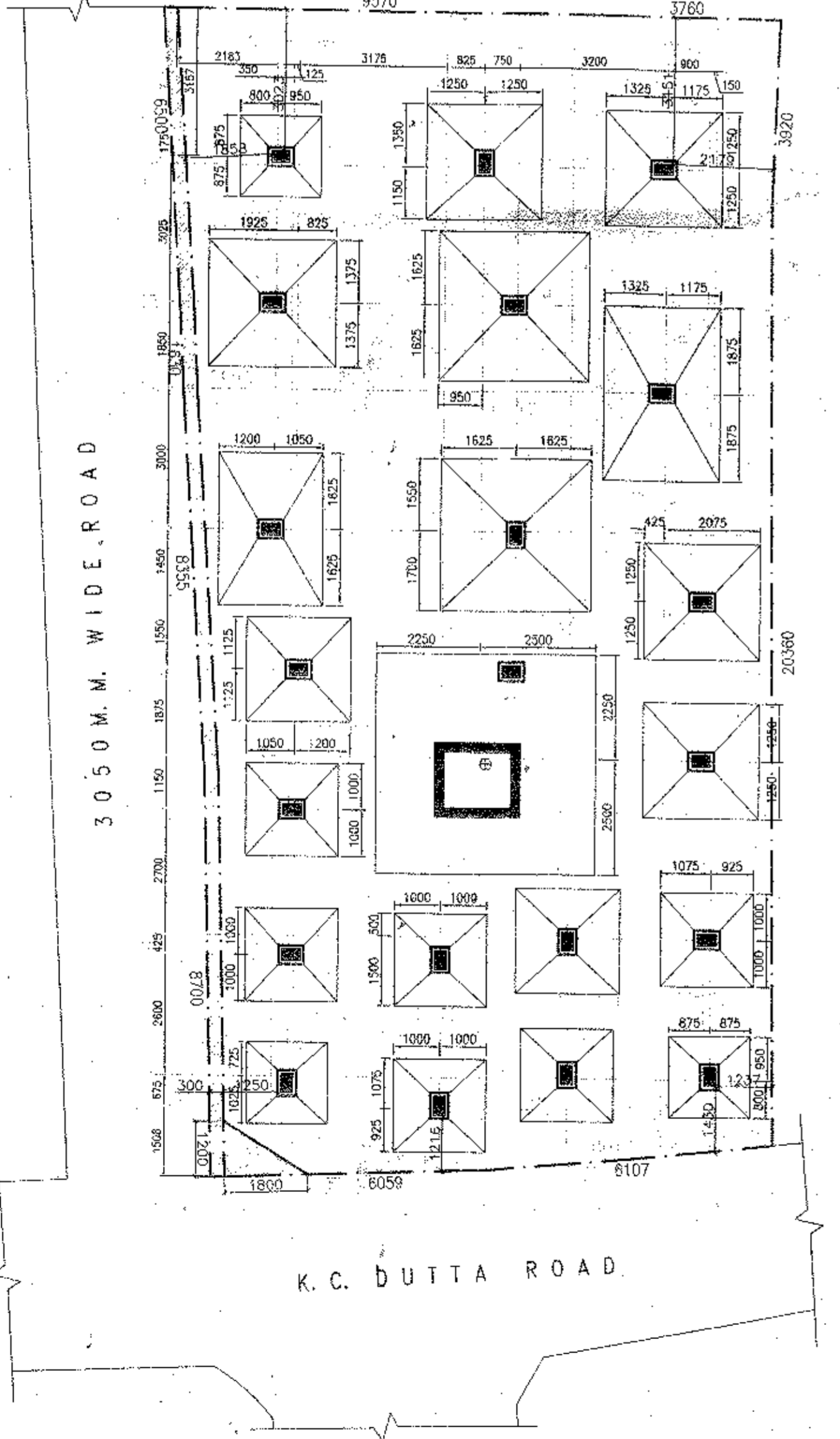
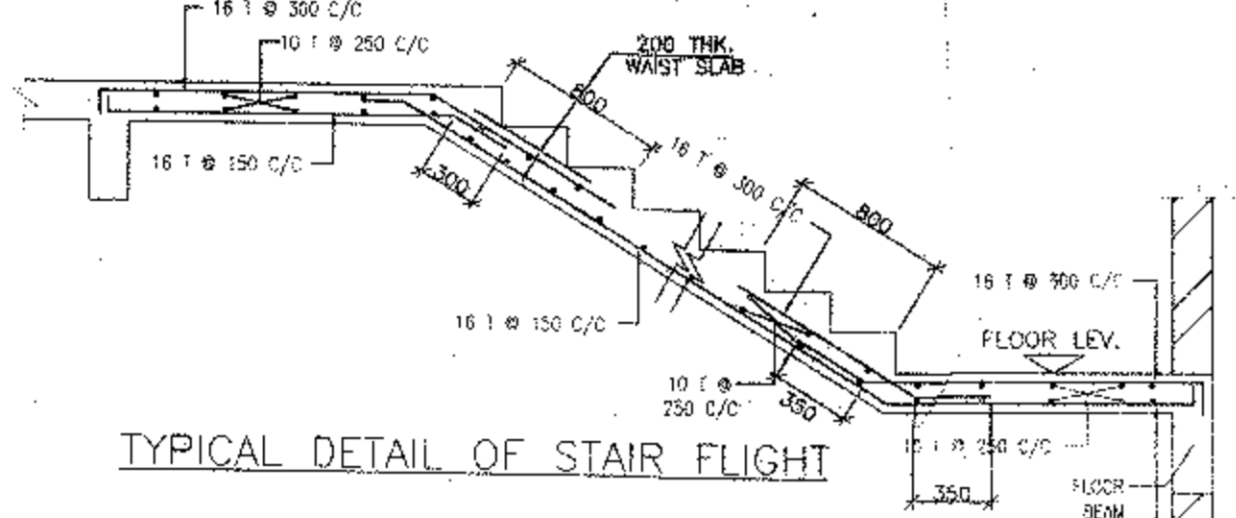
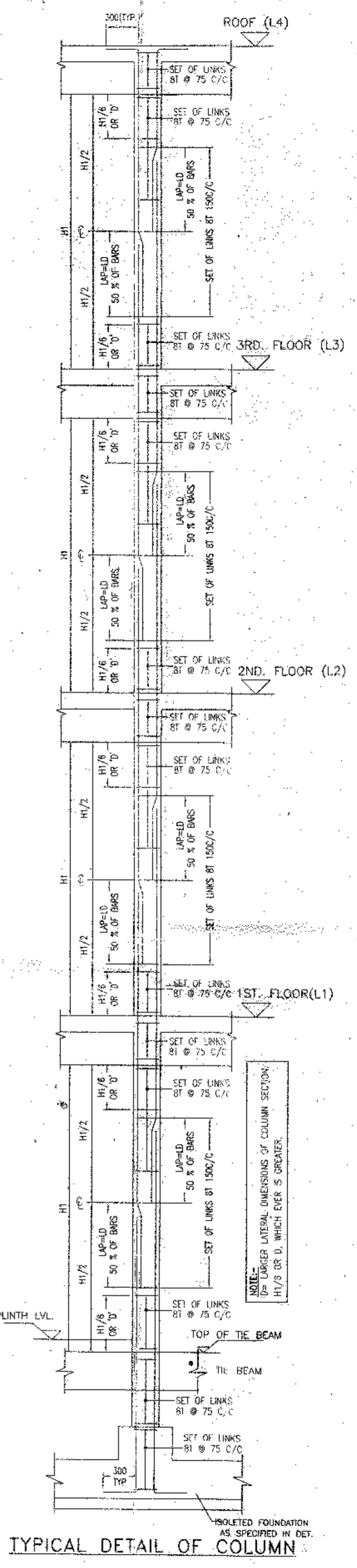
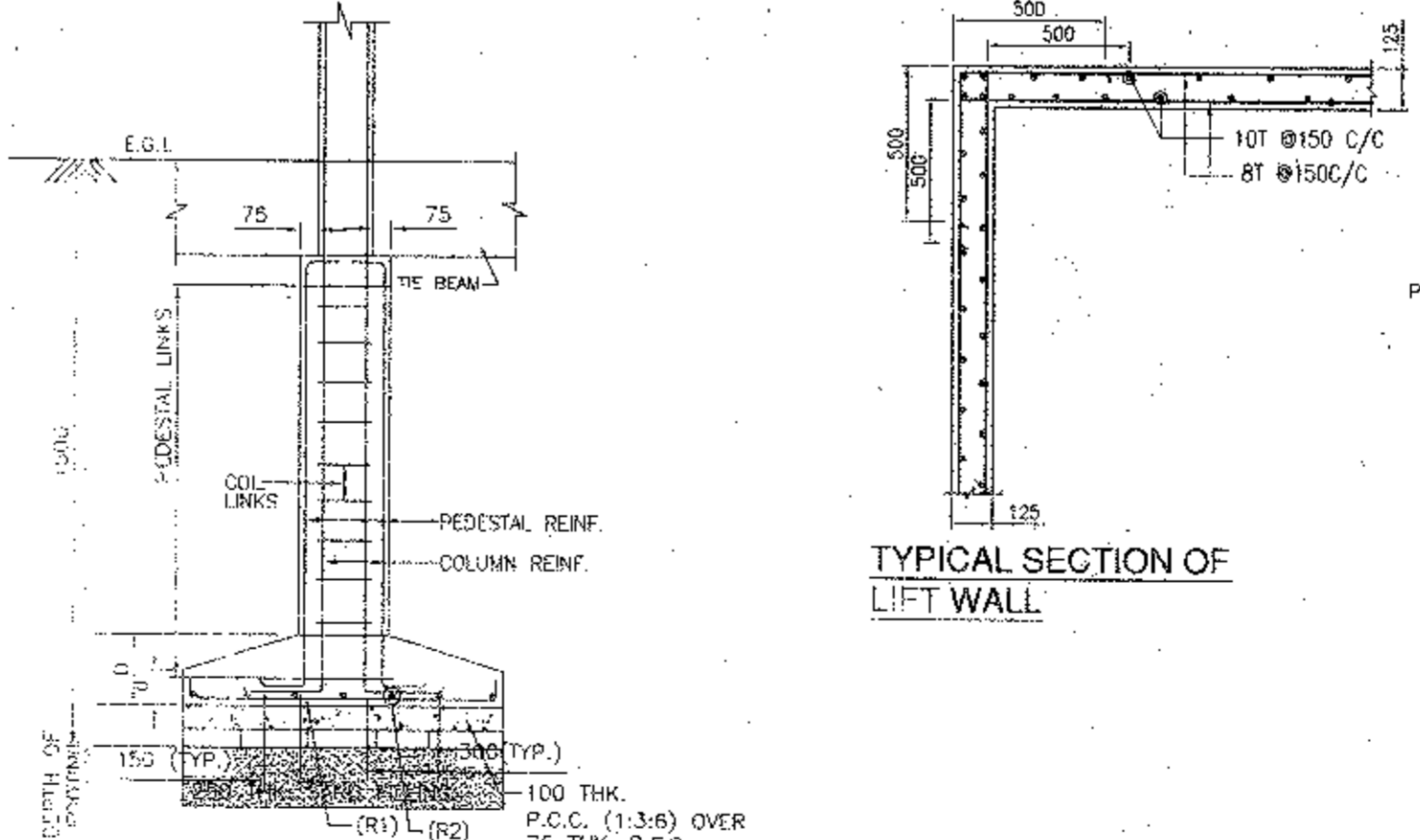
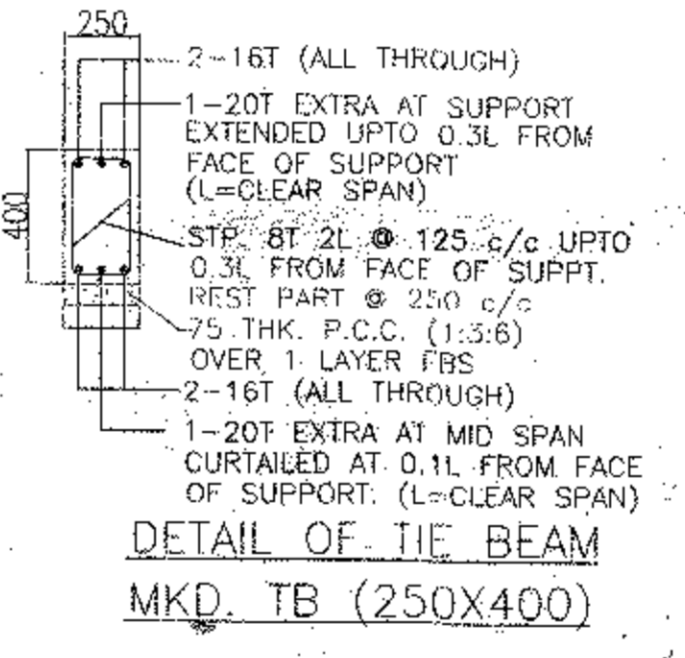
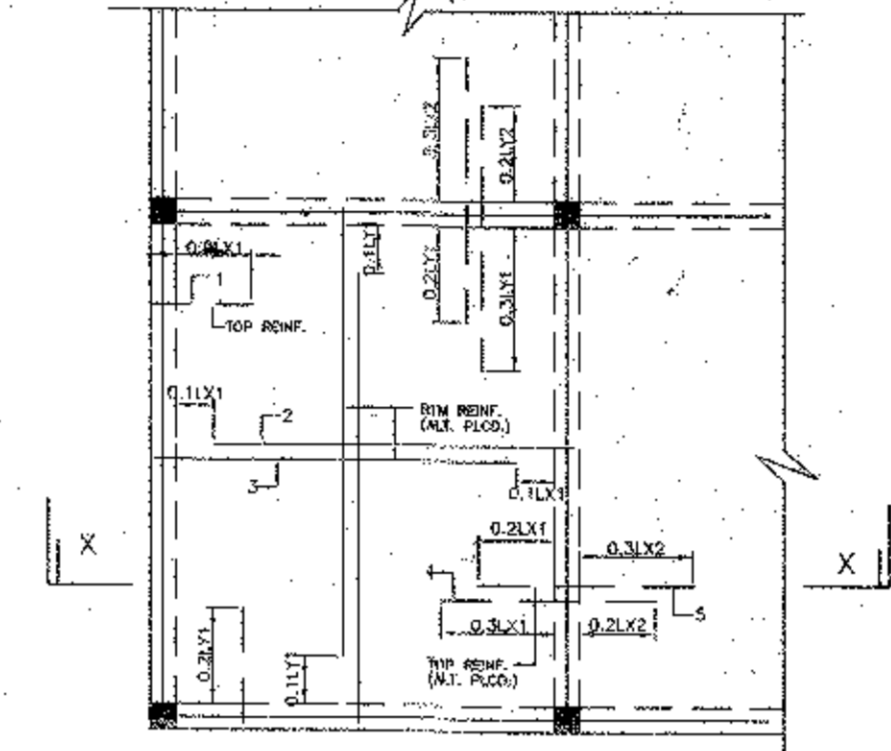
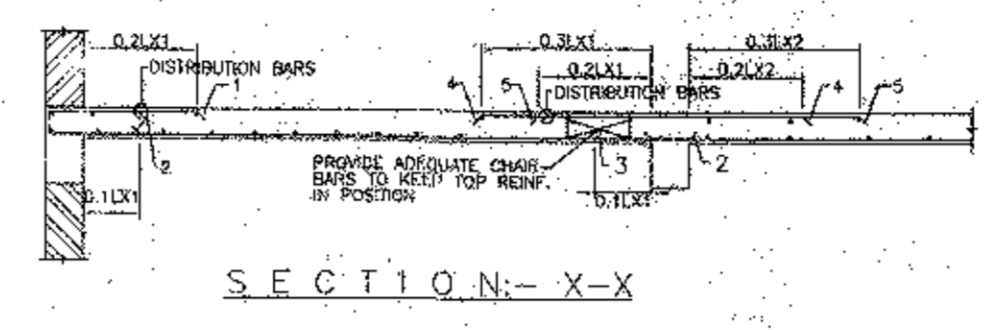
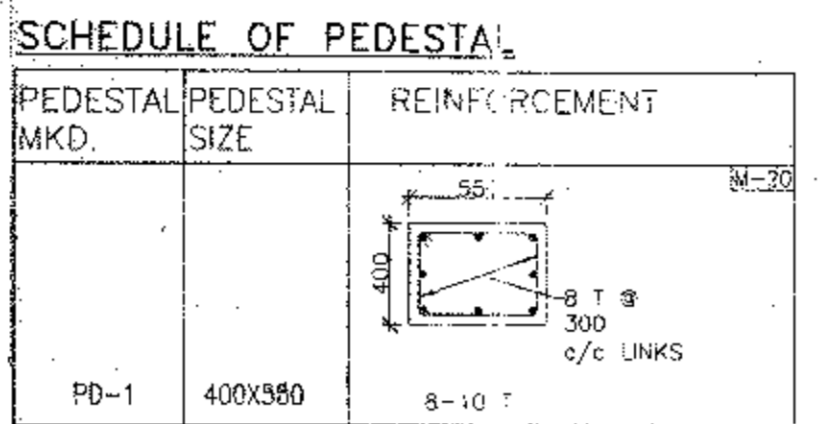
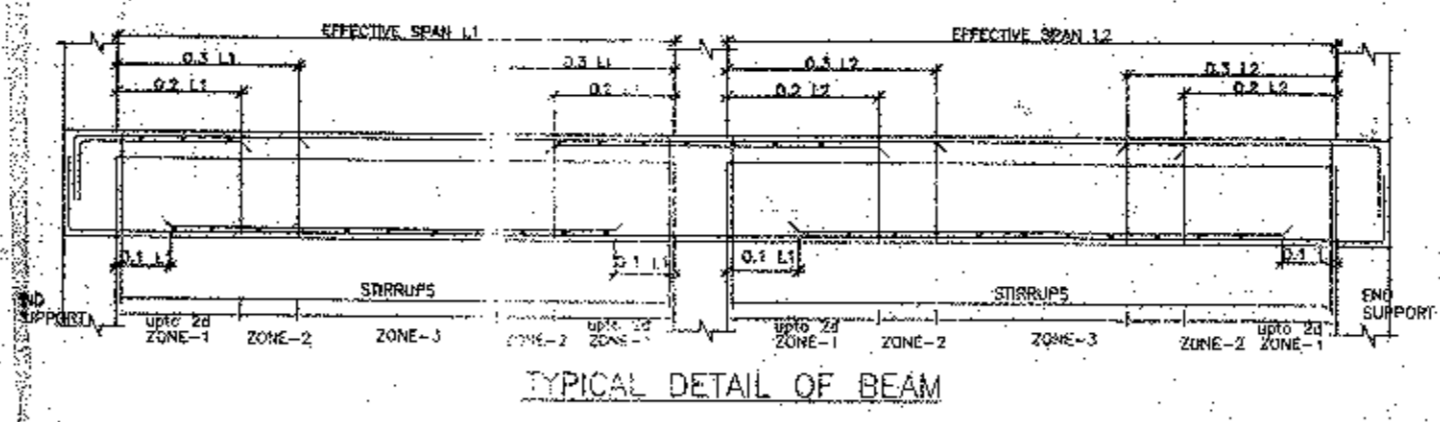


COLUMN SCHEDULE				
GRADE OF CONCRETE - M20				
2nd FLOOR TO ROOF LVL	4-16TOR+4-12TOR	8-16TOR	4-20TOR+8-16TOR	8-20TOR
FOUNDATION TO 2nd FLOOR	8-16TOR	4-16TOR+4-20TOR	8-20TOR+4-16TOR	12-20 TOR
LINKS DETAILS				
C/S OF COLUMN	400	400	400	400
COL SIZE	250X400	250X400	250X400	250X400
LINK	8 @ 100C/C UP TO 750 FROM BEAM SOFFIT & SLAB TOP & REST PORTION 8 @ 200C/C			
COL MARKED	C1,C9,C10,C12,C13	C3,C6,C11,C18,C19,C20	C2,C4,C7	C5,C8

SCHEDULE OF FOOTING			
FOOTING MKD.	FOOTING SIZE A x B x D x / o	REINFORCEMENT	
		SHORT WAY (R1)	LONG WAY (R2)
F1	1750X1750X300/150	10 T @ 125 C/C	10 T @ 125 C/C
F2	2000X2000X350/200	10 T @ 125 C/C	10 T @ 125 C/C
F3	2250X2250X400/200	10 T @ 125 C/C	10 T @ 125 C/C
F4	2500X2500X450/200	10 T @ 125 C/C	10 T @ 125 C/C
F5	2750X2750X500/250	12 T @ 125 C/C	12 T @ 125 C/C
F6	3750X2500X600/250	12 T @ 100 C/C	12 T @ 100 C/C
F7	3250X3250X600/250	12 T @ 100 C/C	12 T @ 100 C/C
F5A	3250X2250X600/250	12 T @ 100 C/C	12 T @ 100 C/C
F8	4750X4750X450/150	16 T @ 100 C/C (1)	16 T @ 100 C/C (2)

SLAB SCHEDULE				
GRADE OF CONCRETE - M20				
SLAB MKD.	THICKNESS	REINFT. AT SHORTER SPAN	REINFT. AT LONGER SPAN	
S1	150	8 T @ 100 C/C (TOP) 8 T @ 150C/C (BOTTOM)	8 T @ 150 C/C (TOP) 8 T @ 175C/C (BOTTOM)	
S2	125	8 T @ 100 C/C (TOP) 8 T @ 125C/C (BOTTOM)	8 T @ 125 C/C (TOP) 8 T @ 150 C/C (BOTTOM)	
S3	115	8 T @ 150 C/C (TOP) 8 T @ 200C/C (BOTTOM)	8 T @ 200 C/C (TOP) 8 T @ 200 C/C (BOTTOM)	

BEAM SCHEDULE								
GRADE OF CONCRETE - M20								
BEAM MKD.	BEAM SIZE	REINFT. AT TOP		REINFT. AT SPAN		STIRRUPS		
		WIDE	DEPTH	TOP	BOTTOM		SUPPORT	SPAN
B1	250	450	6-16 T	3-16 T	3-16 T	6-16 T	8 T @ 100C/C	8 T @ 200C/C
B2	250	400	2-16 T	2-16 T	2-16 T	2-16 T	8 T @ 100C/C	8 T @ 200C/C
B3	250	450	5-16 T	3-16 T	2-16 T	3-16 T	8 T @ 100C/C	8 T @ 200C/C
B4	250	450	2-16 T	4-16 T	2-16 T	4-16 T	8 T @ 100C/C	8 T @ 200C/C
B5	250	450	3-16 T	3-16 T	3-16 T	5-16 T	8 T @ 100C/C	8 T @ 100C/C



NOTES AND SPECIFICATION

- ALL DIMENSIONS ARE IN MM. UNLESS OTHERWISE MENTIONED.
- ANY AMBIGUITY IN THE DRAWINGS SHOULD BE IMMEDIATELY BROUGHT TO THE NOTICE OF THE CONSULTANT BEFORE COMMENCING.
- SUPER STRUCTURE : SUPER STRUCTURE SHALL BE OF 1ST CLASS BRICK IN 1:6 CEMENT MORTAR.
- THIS DRAWING IS TO BE READ ALONG WITH ALL RELEVANT ARCHITECTURAL DRAWINGS.
- ALL GRADE OF CONCRETE M20 UNTILL & UNLESS MENTIONED.
- ALL MATERIALS SHALL CONFORM TO RELEVANT I.S. CODES.
- FOR STEEL GRADE Fe 500 AS PER IS: 1786-2007.
- ALL DISTRIBUTION BARS ARE 8T @ 250 C/C AND TO BE PROVIDED.
- ALL CHAIRS ARE 10T AND TO BE PROVIDED WHERE REQUIRED.
- ALL SPACER BARS ARE 25T @ 300 C/C AND TO BE PROVIDED.
- LAPS, SPICES & BOND LENGTH SHOULD BE 50 D WHERE 'D' IS DIA OF BAR.
- FOUNDATION & PLINTH : BRICKWORK IN FOUNDATION & PLINTH SHALL BE OF 1ST CLASS BRICK IN 1:6 CEMENT MORTAR.
- MINIMUM CLEAR COVER TO MAIN REINFORCEMENT IS AS FOLLOWS:

MEMBER	TOP	BOTTOM	SIDE
a. FOUNDATION	50	50	50
b. COLUMN	40	40	40
c. FLOOR BEAM	30	30	30
d. TIE BEAM	30	30	30
e. FLOOR SLAB	20	20	20
f. FOUNDATION BEAM	50	50	50

PROPOSED (G+3) STORED RESIDENTIAL BUILDING AT 184, K. C. DUTTA ROAD, MOUZA-RAJPUR, J.L. NO. - 55, R.S. DAG NO. -185 (PART), UNDER R.S. KHATIAN NO.- 1279,1308,1323, HOLDING NO.-184, P.S.-SONARPUR, UNDER RAJPUR-SONARPUR MUNICIPALITY, WARD NO.- 17, DIST.-24 PGS.(S). KOLKATA.

DECLARATION OF ARCHITECT

IT IS CERTIFIED THAT THE BUILDING PLAN HAS BEEN DRAWN UP AS PER PROVISION OF R.S.M. BUILDING RULES 2009 AS AMENDED FROM TIME TO TIME & THAT THE SITE CONDITION INCLUDING THE WIDTH OF ABUTTING ROAD CONFORM WITH THE PLAN & THAT IT IS A BUILDABLE SITE & AS INFORMED BY THE OWNER NOT A TANK OR FILLED UP TANK.

Madhumoy Halder
MADHUMOY HALDER
Registered Architect
Reg. No. - CA / 2010 / 50694

DECLARATION OF STRUCTURAL ENGINEER

THE STRUCTURAL DESIGN & DRAWING OF BOTH FOUNDATION & SUPER STRUCTURE OF THE BUILDING HAS BEEN MADE BY ME CONSIDERING ALL POSSIBLE LOADS INCLUDING THE SEISMIC LOAD AS PER THE NATIONAL BUILDING CODE OF INDIA & CERTIFIED THAT IT IS SAFE & STABLE IN ALL RESPECTS.

MS. MITA SAHA
M.S. MITA SAHA
M.I.E., M.E. (Struct), C.E.
ESE-92(1)
AG-89, Sec-11, Salt Lake
Mob.-9831888112

DECLARATION OF GEO-TECHNICAL ENGINEER

ASIM SARKAR
ASIM SARKAR
BCE, ME (SOIL), MGS
EMPOWERED GEOTECHNICAL ENGINEER,
K.M.C. No.: CLASS -1/2

DECLARATION OF OWNER

Rajmani Samadder
Rajmani Samadder
Constituted Attorney of
SANKAR KUMAR GHOSAL
SIGNATURE OF OWNER

APPROVAL OF S.A.E./P.W.D. Dated On: 30/09/2019
Building Plan No. 151/2019/1/2
for record of the Rajpur-Sonarpur Municipality without Verification No. deviation from the submitted structural plan shall be made at the time of erection without submitting fresh structural plan along with design calculation and stability certificate in the prescribed form. necessary steps should be taken for the safety of the adjoining premises public properties and safety of human life during construction.

M. S. M. Saha
M. S. M. Saha
Sig. of Assistant Engineer,
Incharge P.W.D.
RAJPUR-SONARPUR MUNICIPALITY

TITLE :
FOUNDATION LAYOUT PLAN, BEAM LAYOUT PLAN, SCHEDULE OF FOUNDATION, FND, BEAM, COLUMN, BEAM, SLAB & TYPICAL DETAIL OF FOUNDATION, STAIR, TIE BEAM.

DRAWN BY : G.HUDU
CHECKED BY : M.SAHA
APPROVED BY :
SCALE : 1 : 100
DATE : 28.02.2019

SUBMISSION DRAWING

DRAWING NO. : PRA/ECO NESTI/STR/ SANC / 01
REVISION NO. : JOB NO. 26-2019